

mini
TEE
PLUG
TH387
IP68 3bar
CE
MADE IN ITALY

TH387
Installazione a pannello
Panel-mounting installation
2-3-4-5 POLES

Plug a parete
Plug panel-mounted

①

SOCKET

2-3-4-5 POLES

① ← ①
② ← ②
③ ← ③
④ ← ④
⑤ ← ⑤

Versione perforazione isolante
Piercing terminals version
Code: THP.XXX.XXX

25 mm

Versione a vite standard
Screw terminals
Code: THB.XXX.XXX (THR.XXX.XXX)

25 mm

No sguainatura
No unsheathing

②

$\varnothing 7.0 \div 8.5 \text{ mm}$
 $\varnothing 9.0 \div 13.5 \text{ mm}$

ADAPTER HOLE
 $\varnothing 9.0 \text{ mm}$
 $\varnothing 6.0 \div 7.0 \text{ mm}$

③

3.a

3.b

3.c

3.d

Chiave speciale di fissaggio rapido
Quick-fixing special tool

④

PLUG

2-3-4-5 POLES

① ← ①
② ← ②
③ ← ③
④ ← ④
⑤ ← ⑤

Versione perforazione isolante
Piercing terminals version
Code: THP.XXX.XXX

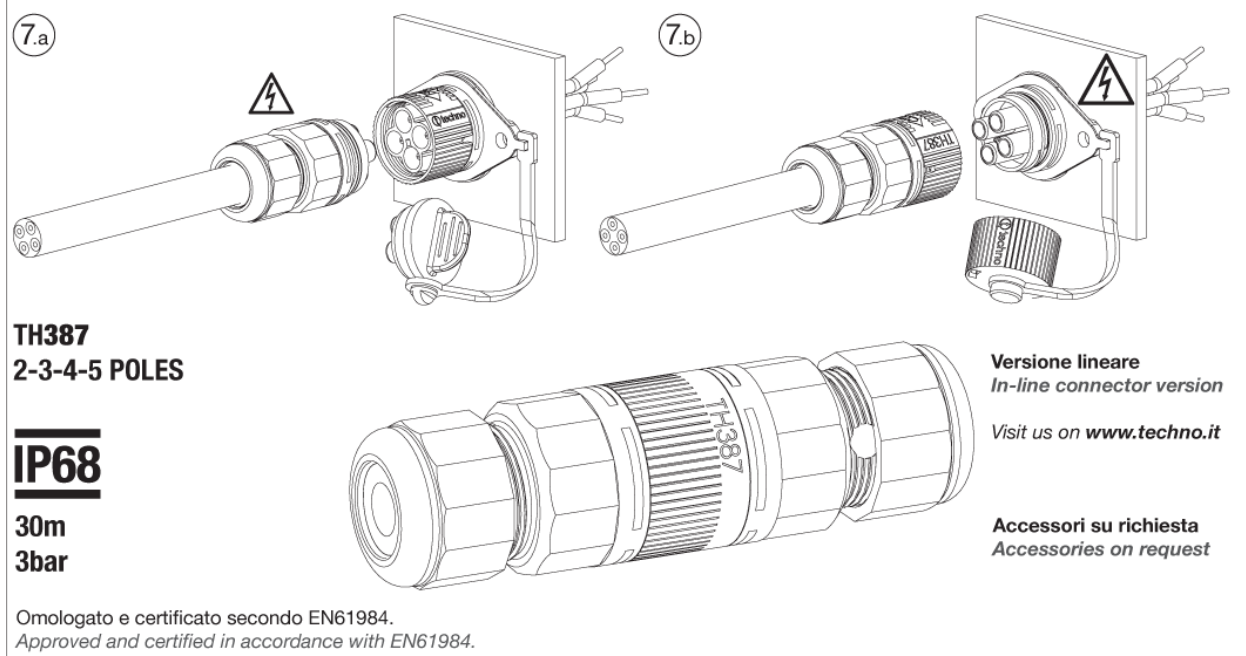
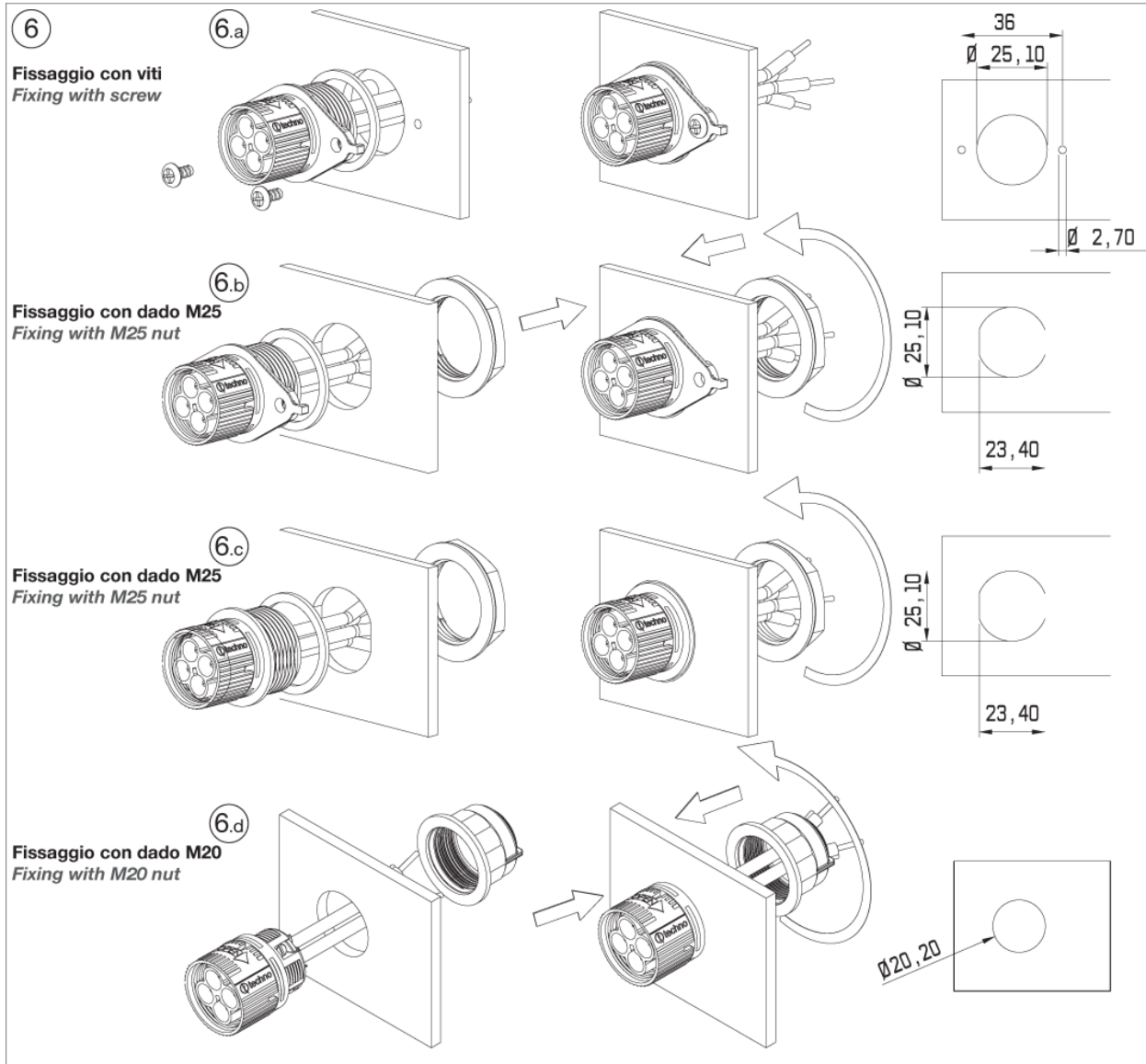
25 mm

Versione a vite standard
Screw terminals
Code: THB.XXX.XXX (THR.XXX.XXX)

25 mm

No sguainatura
No unsheathing

⑤



mini
TEE
PLUG

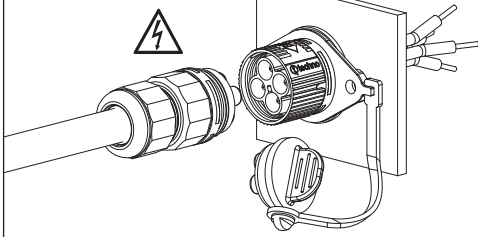
TH387

IP68 3bar

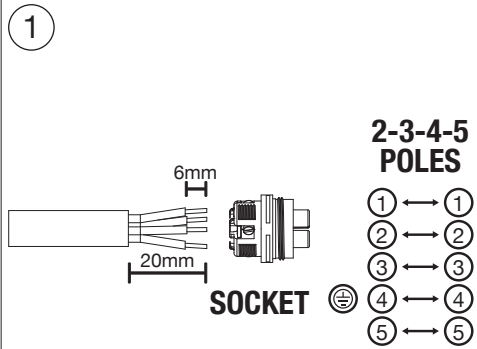
CE

MADE IN ITALY

TH387
Installazione a pannello
Panel-mounting installation
2-3-4-5 POLES

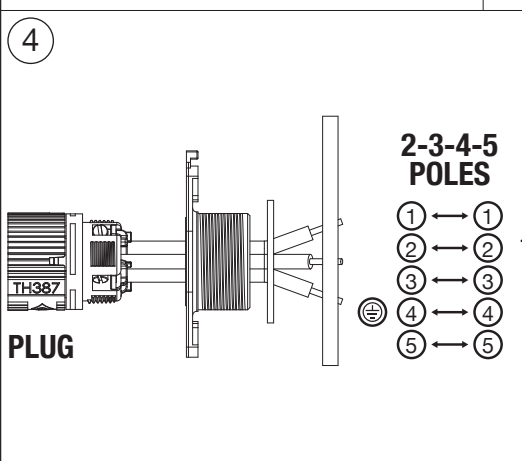
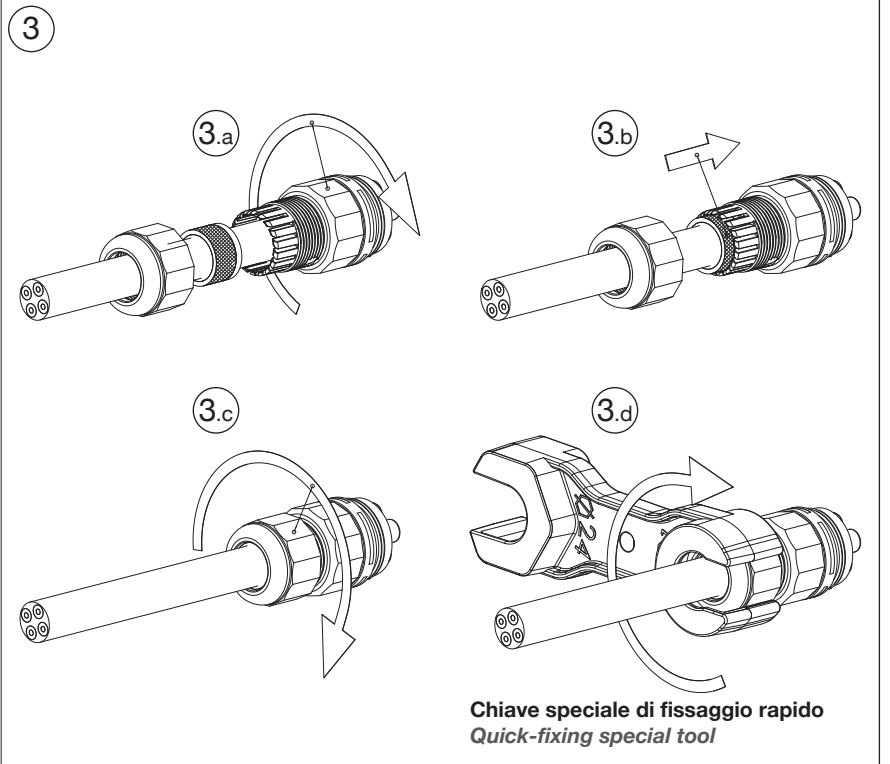
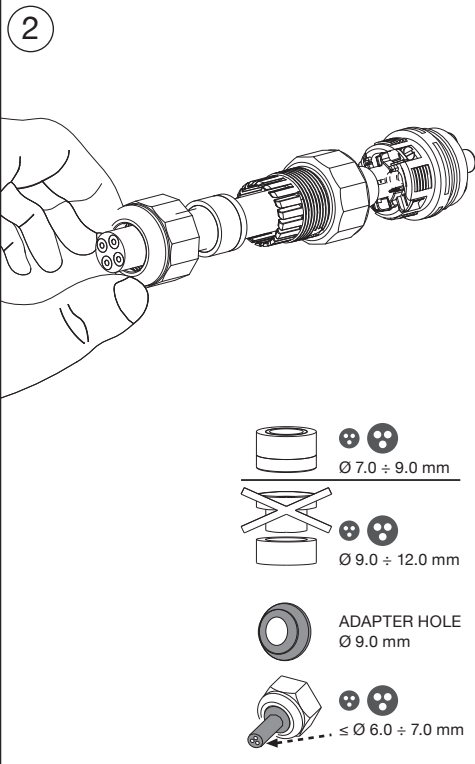


Plug a parete
Plug panel-mounted



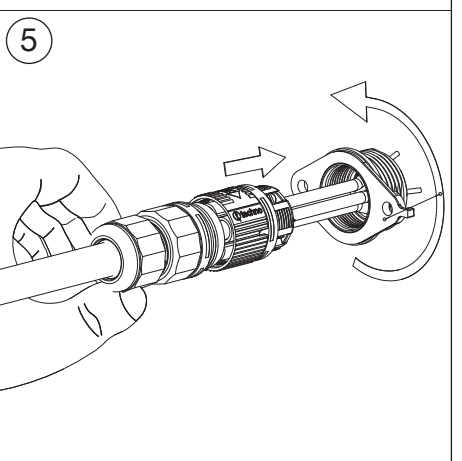
Versione perforazione isolante
Piercing terminals version
Code: THP.XXX.XXX

Versione a vite standard
Screw terminals
Code: THB.XXX.XXX (THR.XXX.XXX)



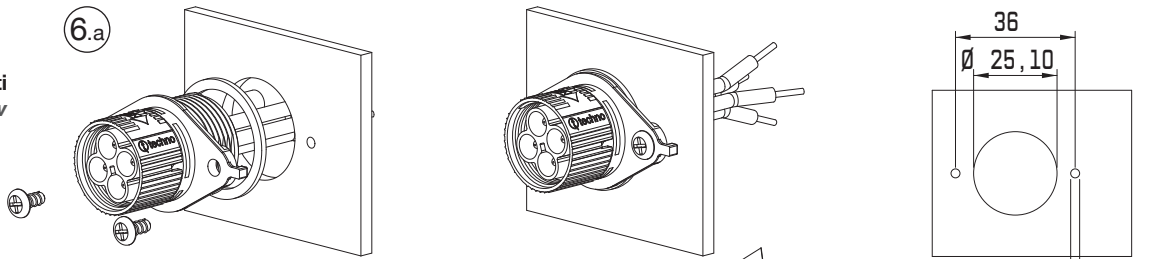
Versione perforazione isolante
Piercing terminals version
Code: THP.XXX.XXX

Versione a vite standard
Screw terminals
Code: THB.XXX.XXX (THR.XXX.XXX)



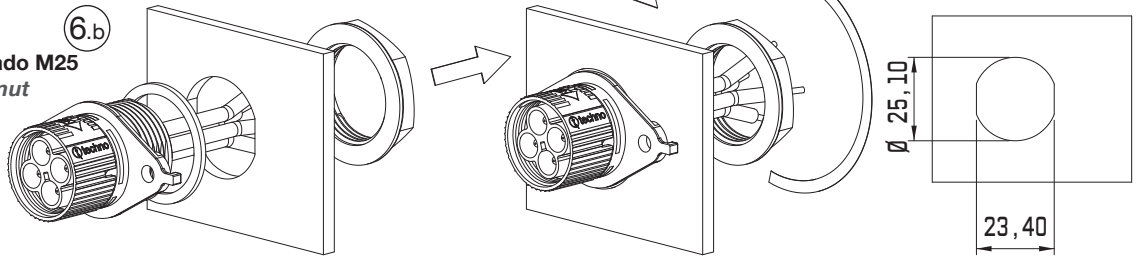
6

Fissaggio con viti
Fixing with screw



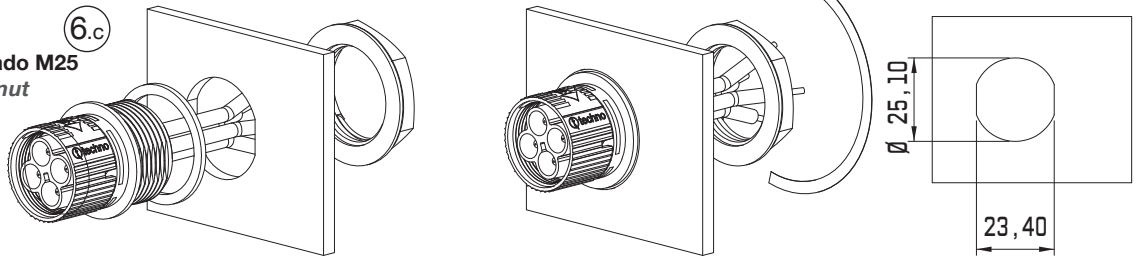
6.a

Fissaggio con dado M25
Fixing with M25 nut



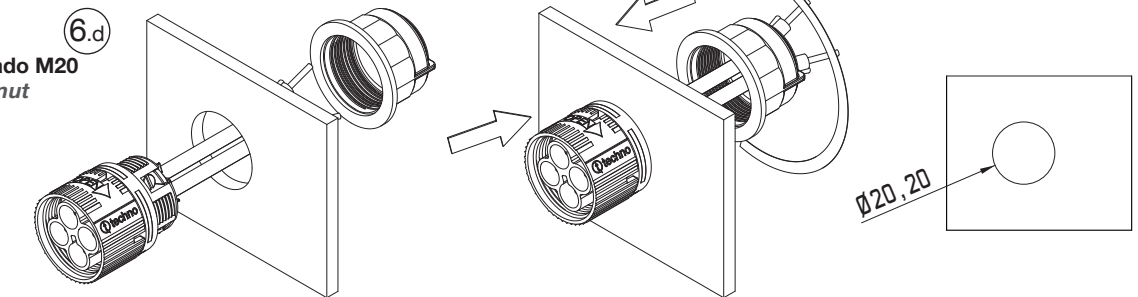
6.b

Fissaggio con dado M25
Fixing with M25 nut



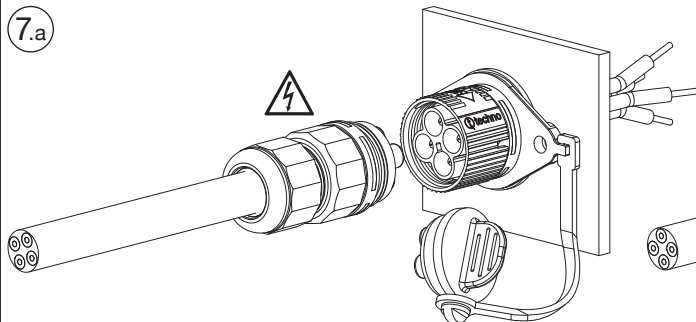
6.c

Fissaggio con dado M20
Fixing with M20 nut

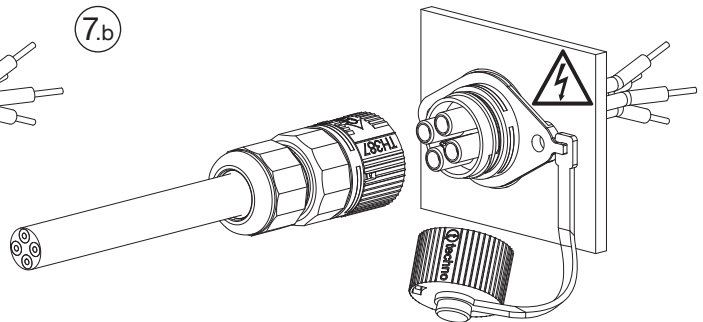


6.d

7.a



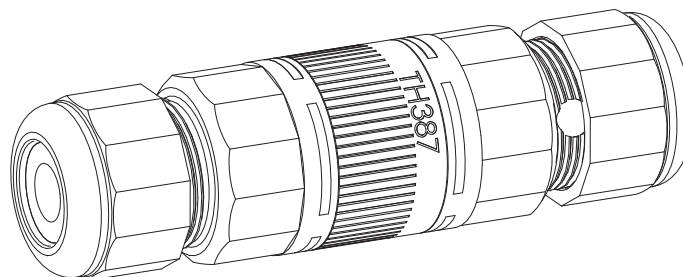
7.b



TH387
2-3-4-5 POLES

IP68

30m
3bar



Versione lineare
In-line connector version

Visit us on www.techno.it

Accessori su richiesta
Accessories on request

Omologato e certificato secondo EN61984.
Approved and certified in accordance with EN61984.